

CANTILEVER

Everything that you need for your SMART STORAGE








 **MecaRack USA**

Smart Storage Starts Here

OUR CANTILEVER RACKS are made from structural steel and designed for medium to heavy-duty storage, making them the ideal solution for storing pipes, lumber, metal sheets, pipes, carpets rolls, or other long items. These structures leave the front of the system unobstructed for direct pick access to goods.

ADVANTAGE

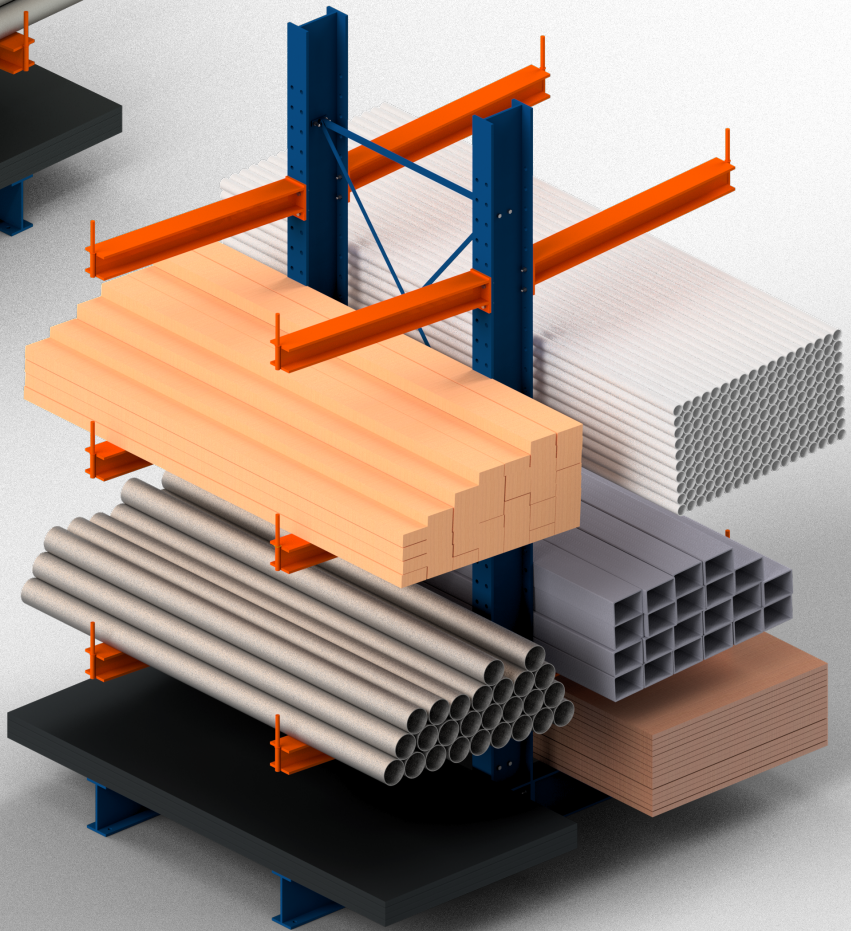
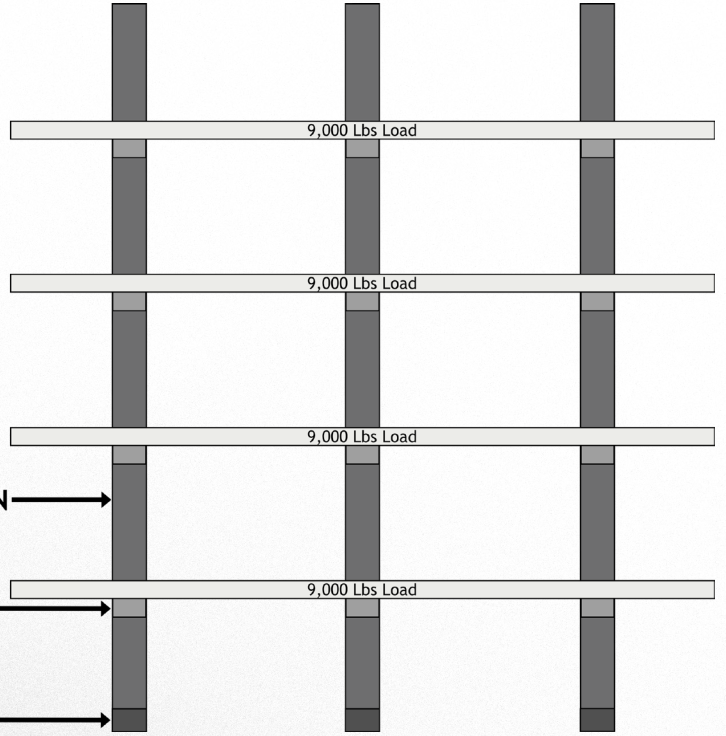
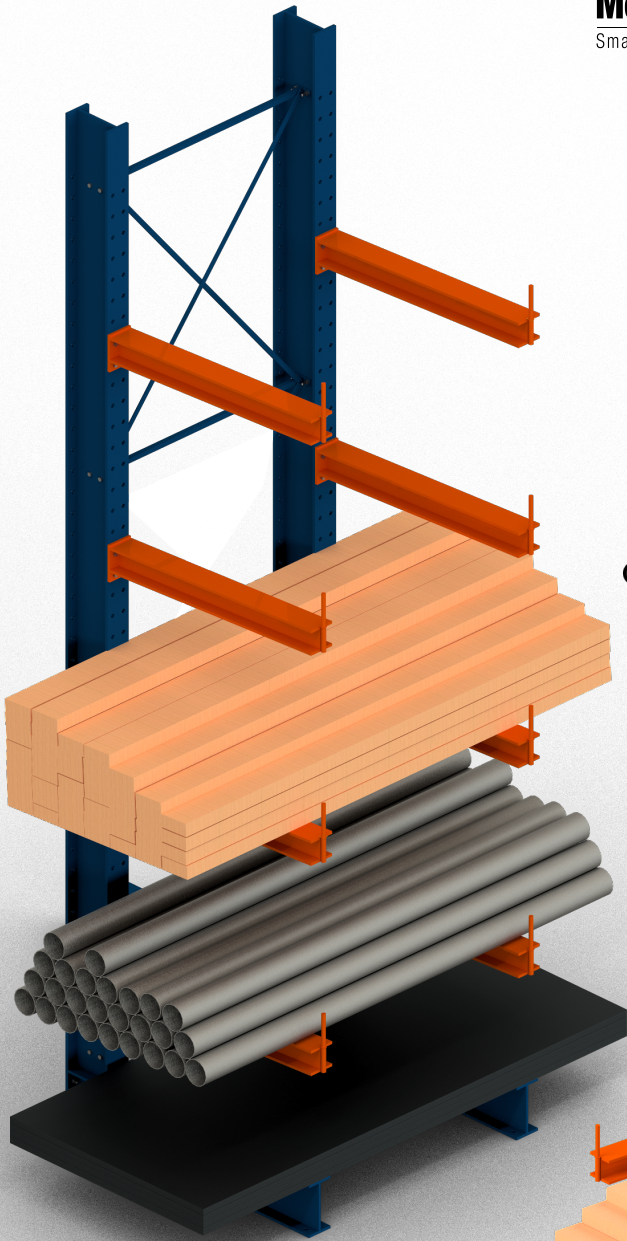
-  Easy access. Load handling is very quick thanks to its front extraction and open design. The open design allows operators to find merchandise more easily.
-  Fully adjustable. The versatility of this system is another of its great advantages. The structure allows for easy height adjustments.
-  More Selective: Instant access to any loading or storage.
-  Cantilever racking allows you to improve your warehouse layout by efficiently storing awkward loads and freeing up floor space. Cantilever racks organize bulky items more effectively than other systems, enabling seamless product retrieval and warehouse operations.
-  The products and parts can be sold separately, allowing you to add arms or simply purchase bases to change the configuration from a single-sided system to a double-sided system.

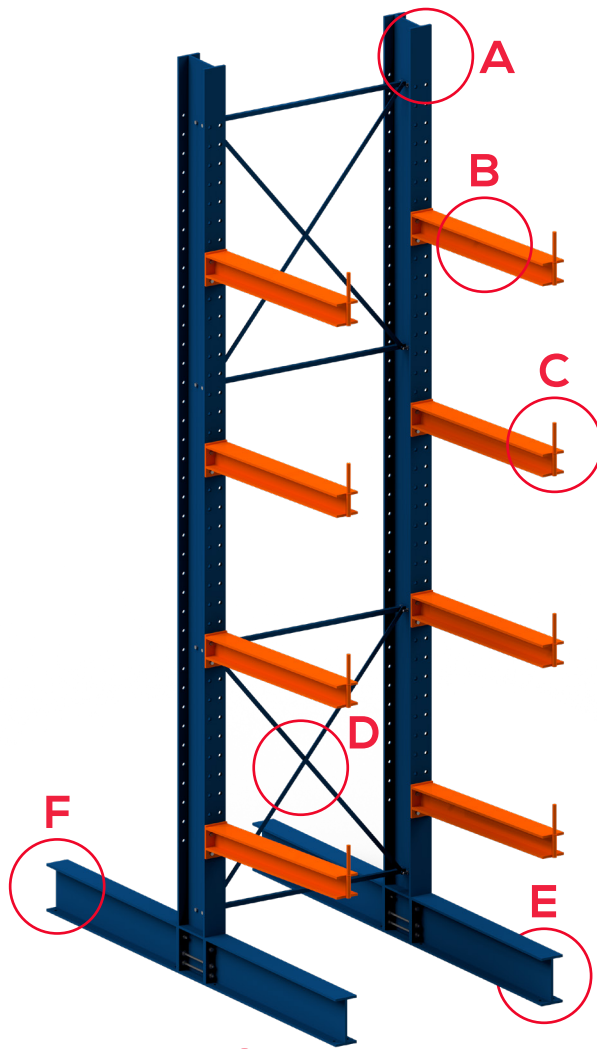




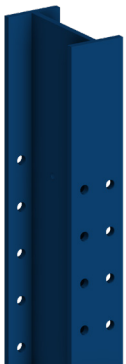
MecaRack USA

Smart Storage Starts Here

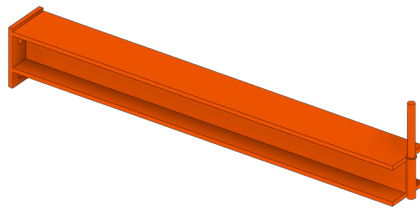




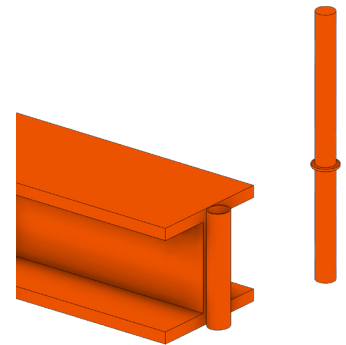
A
COLUMNS



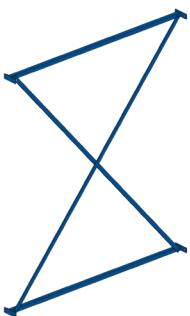
B
ARMS



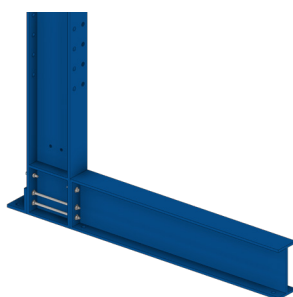
C
PIPE END STOP



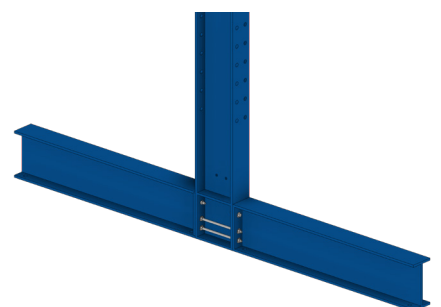
D
BRACES

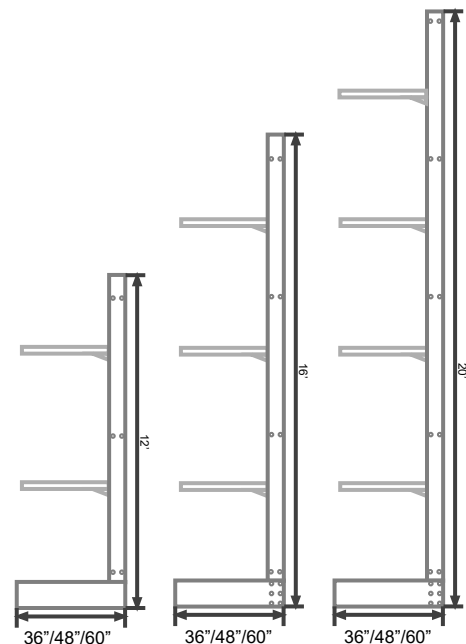
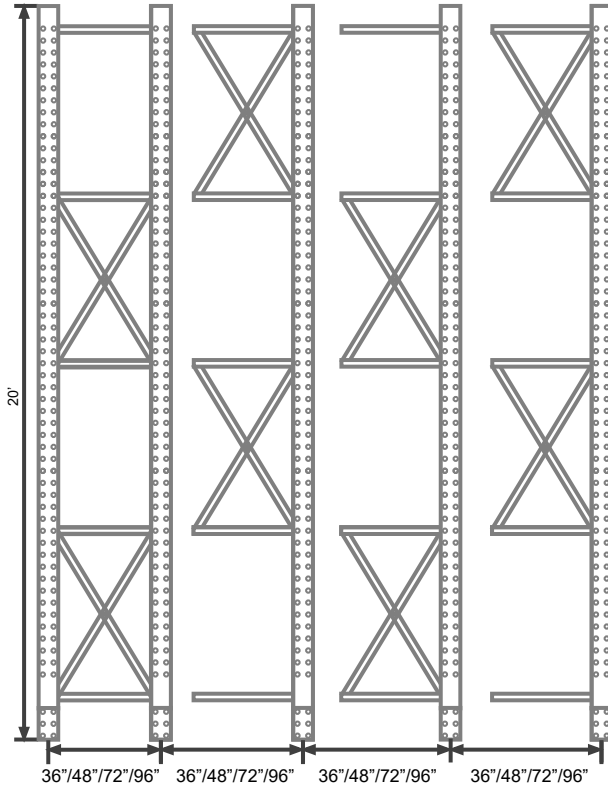
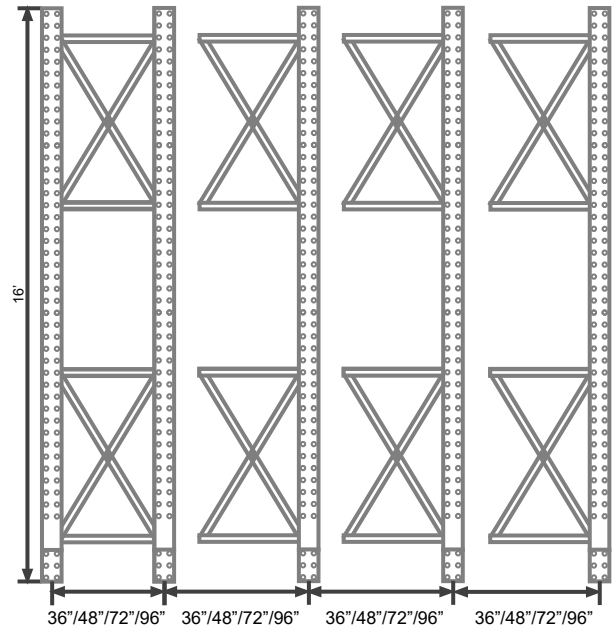
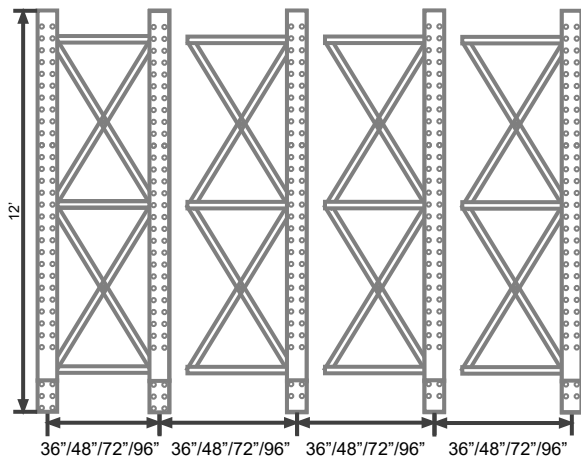


E
SINGLE BASE



F
DOUBLE BASE





COMPONENTS OF CANTILEVER RACKING SYSTEMS

Cantilever racks are made up of a few different components: bases 48" length, Columns (8' to 20' High), arms (48" Length), and bracing (4' to 6' Length). The bases serve as the cornerstone of the racking system and anchor it to the floor, acting as the main stabilizing component for the entire system.

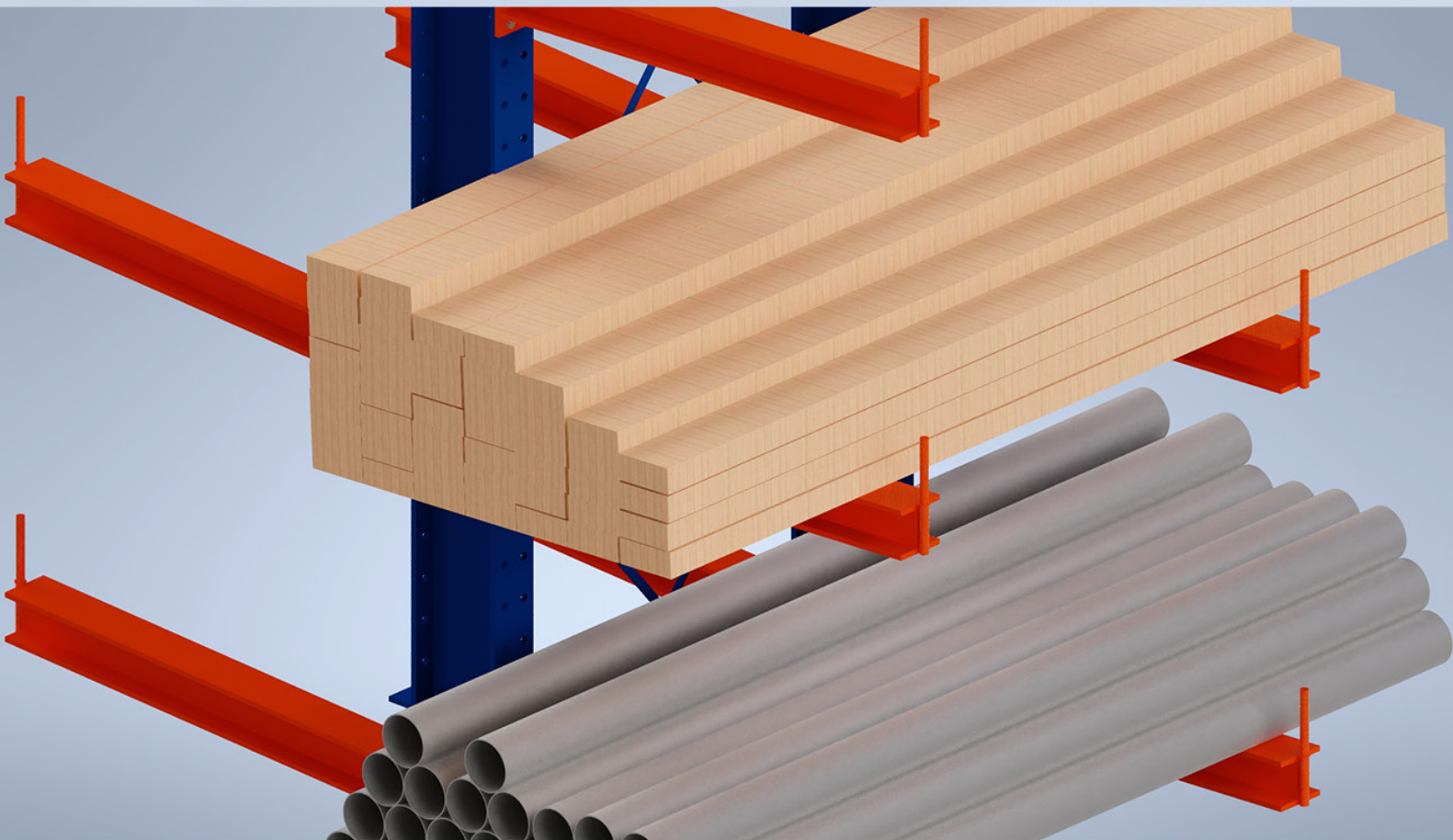
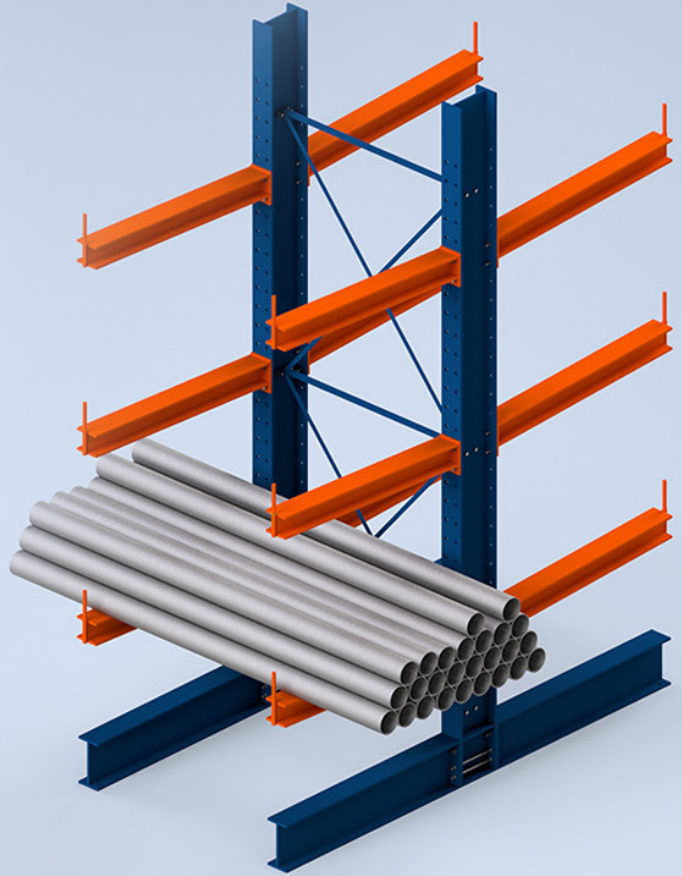
Next, there are the upright columns. These connect to the base and have holes in them for the cantilever arms to connect to the system. The cantilever arms, in turn, serve as the actual shelving units where you can place your long and bulky items. They compose each of the storage levels of the cantilever racking system.

The braces are another part of the heavy duty cantilever storage rack system that increases stability. They provide horizontal and diagonal support, ensuring that the items you place on the arms will have the support they need.



MecaRack USA

Smart Storage Starts Here



| STRUCTURAL CANTILEVER RACKS TECHNICAL INFORMATION | | | | | |
|---|-----------------------|-------------------|----------------|-------|-------------|
| No. | DESCRIPTION (mm) | PROFILE (mm) | CAPACITY (lbs) | COLOR | WEIGH (lbs) |
| CANTILEVER ARMS | | | | | |
| 1 | 36" x 4" Arm | I-beam | 1200 | Blue | 29.25 |
| 2 | 48" x 4" Arm | I-beam | 1900 | Blue | 36.80 |
| 3 | 48" x 4.75" Arm | I-beam | 3960 | Blue | 41.70 |
| 4 | 48" x 4.75" Arm | I-beam | 2200 | Blue | 64.18 |
| 5 | 48" x 4.75" Arm | I-beam | 3500 | Blue | 82.00 |
| 6 | 12" Steel Pin w/chain | 12" Steel w/chain | - | Blue | 1.34 |
| 7 | 24" Steel Pin w/chain | 4" Steel w/chain | - | Blue | 2.15 |

| CANTILEVER BASE | | | | | |
|-----------------|-----------------|-------------|---|------|--------|
| 8 | 36" Base | Single Base | - | Blue | 70.40 |
| 9 | 48" Base | Single Base | - | Blue | 84.44 |
| 10 | 54" Base | Single Base | - | Blue | 95.92 |
| 11 | 60" Base | Single Base | - | Blue | 104.21 |
| 12 | Cantilever Shim | - | - | Blue | - |

| CANTILEVER BRACES | | | | | |
|-------------------|----------------|--------------|---|------|------|
| 13 | 3 ft X-Brace | 36" Flat Bar | - | Blue | 5.2 |
| 14 | 4 ft X-Brace | 48" Flat Bar | - | Blue | 6.34 |
| 15 | 5 ft X-Brace | 60" Flat Bar | - | Blue | 7.92 |
| 16 | 6 ft X-Brace | 72" Flat Bar | - | Blue | 9.5 |
| 17 | Hex Bolt w/nut | 3/4 x 2 | - | Zinc | 0.77 |

| CANTILEVER STRUT BRACE | | | | | |
|------------------------|-----------|---------------|---|------|-------|
| 18 | 36" Strut | 36" Angle Bar | - | Blue | 10.1 |
| 19 | 48" Strut | 48" Angle Bar | - | Blue | 12 |
| 20 | 60" Strut | 60" Angle Bar | - | Blue | 14.63 |
| 21 | 72" Strut | 72" Angle Bar | - | Zinc | 17.28 |

| CANTILEVER COLUMNS | | | | | |
|--------------------|-----|--------|--------|------|--------|
| 22 | 12" | 5"X10" | 11.704 | Blue | 209.00 |
| 23 | 16" | 5"X10" | 11.660 | Blue | 279.40 |
| 24 | 20" | 5"X10" | 11.440 | Blue | 349.80 |



EVERYTHING YOU NEED FOR YOUR SMART STORAGE

Want to save on Storage Space and maximize square footage in your warehouse. We mobilize Racks, Knock Down, Transport, and assemble your Racks.

CALL US

+1 (704) 610-1100 +1 (704) 498-6263

- ✓ Selective Pallet Rack
- ✓ Cantilever Racks
- ✓ Lockers
- ✓ Mezzanines
- ✓ Steel Shelving
- ✓ Rivet Shelving
- ✓ Pallet Jacks
- ✓ Wire Deck

www.mecarackusa.com sales@mecarackusa.com

